



# idrive™

## Power Cord Extender

### Installation Instructions

MODELS: 3960M/3961S



Wayne-Dalton Corp.  
 P.O. Box 67 Mt. Hope,  
 OH 44660  
 (888) 827-3667  
 www.wayne-dalton.com

The idrive™ Power Cord Extender is intended to be used only with Wayne-Dalton's idrive™ Garage-Door Opener models: 3660-372, 3660D-372, 3661-372, 3651-372, 3650-372, 3760-372, 3760LH-372, 3761-372, 3761LH-372, 3750-372, 3751-372, 3740-372, 3741-372, 3760N-372, 3760LHN-372, 3761N-372, 3761LHN-372, 3750N-372, 3751N-372, 3740N-372, 3741N-372, 3760-433, 3761-433, 3750-433, 3751-433, 3760N-433, 3761N-433, 3750N-433, 3751N-433 Re-locatable power tabs may be used on a temporary basis to provide an extension of a grounding alternating-current branch circuit for general use. Some municipalities may limit the use of Re-locatable power tabs. Please check with your local officials. For indoor use only. Connect only to a properly grounded outlet. Do not remove the ground pin from the power cord.



### Tools Required

- (1) PHILLIPS/SQUARE HEAD SCREW DRIVER
- (1) TAPE MEASURE
- OPTIONAL-PHILLIPS/SQUARE HEAD DRIVER
- (1) STEP LADDER
- SAFETY GLASSES
- DRILL WITH 3/32" DRILL BIT
- (1) PLIERS
- (1) STRING (11 ft.)

### Packaged Contents

- (1) 25' POWER CORD
- (4) TRAY CONNECTORS (MODEL 3960M)
- (2) WIRE TIES
- (2) STRAIN RELIEF BUSHINGS
- (6) MOUNTING BRACKETS
- (5) 24" TRAYS (MODEL 3960M)
- (1) 10' TRAY (MODEL 3961S)
- (6) #10 X 1-1/2" PHILLIPS PAN HEAD WOOD SCREWS
- (2) STRAIN RELIEF HOLDERS

# IMPORTANT SAFETY INSTRUCTIONS

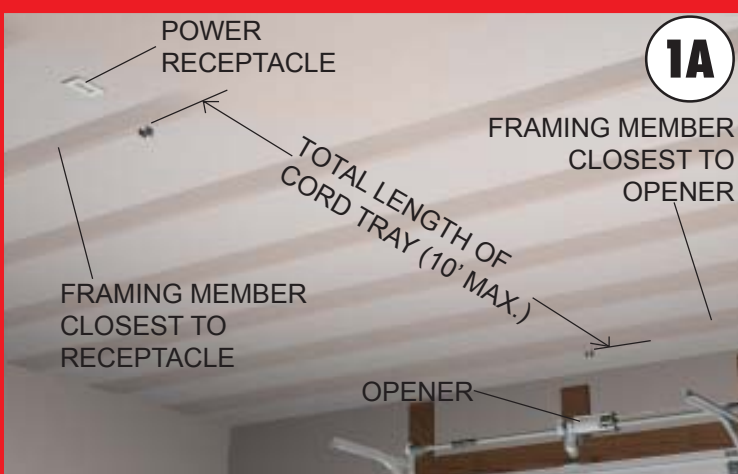
**⚠ WARNING!** INCORRECT INSTALLATION CAN LEAD TO SHOCK OR FIRE.

**⚠ WARNING!** IT IS VITAL FOR THE SAFETY OF PERSONS TO FOLLOW ALL INSTRUCTIONS. SAVE THESE INSTRUCTIONS.

**IMPORTANT!** Read and follow all installation instructions.

**IMPORTANT!** Do not connect the opener to a power source until instructed to do so.

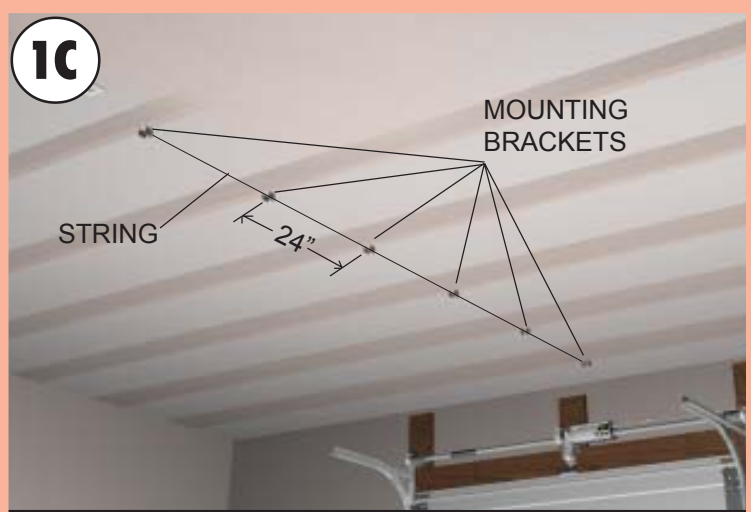
**IMPORTANT!** Installation of wiring must comply with local building and electrical codes. Connect power cord to a properly grounded outlet. Do not remove the ground pin from the power cord.



## STEP 1: MOUNTING BRACKET INSTALLATION

Locate and mark the wooden framing member closest to the ceiling mounted power receptacle. Next, locate and mark the wooden framing member closest to the *idrive*<sup>TM</sup> opener.

**NOTE:** The distance between the two marks must not exceed 10'. Relocate one of the marks to the next closest framing member if necessary.

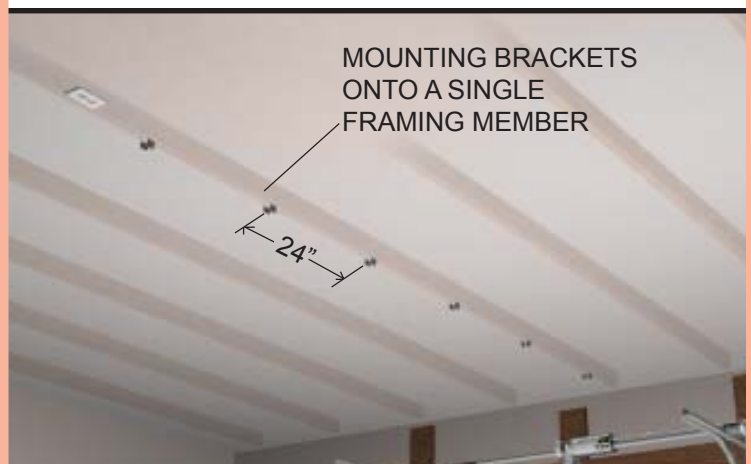
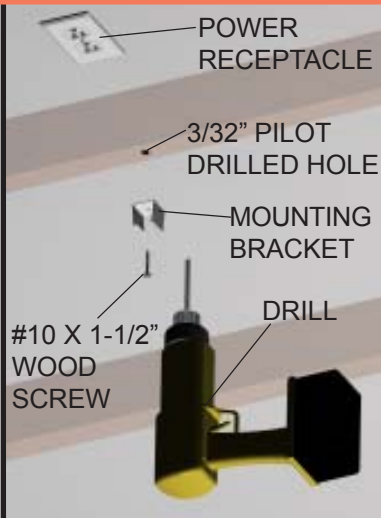


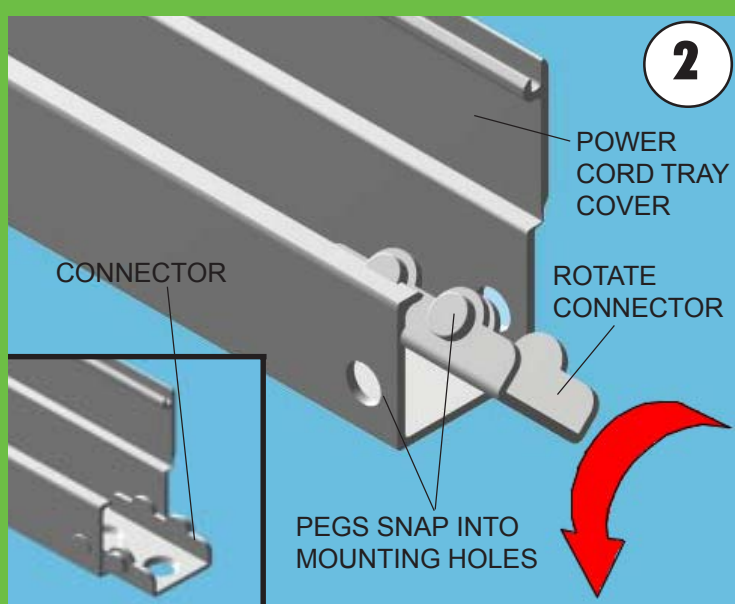
Place a string between the two mounting brackets to create a straight line. Following the line, attach the remaining brackets to the wooden frame members between the two mounted brackets. Attach mounting brackets to a smooth, flat surface to keep mounting brackets straight and aligned. Maintain a 24" spacing between brackets.

**NOTE:** All brackets must be attached to the ceiling in a straight line.

**1B**

Predrill a 3/32" pilot hole into the wood framing at each marked location. Attach a mounting bracket to both ceiling locations with a (1) #10 x 1-1/2" wood screw.



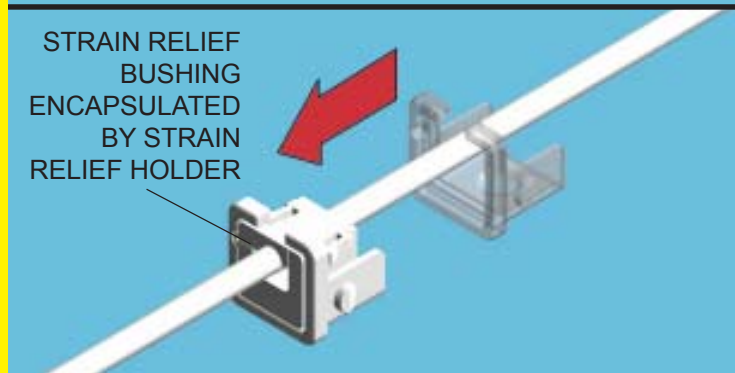
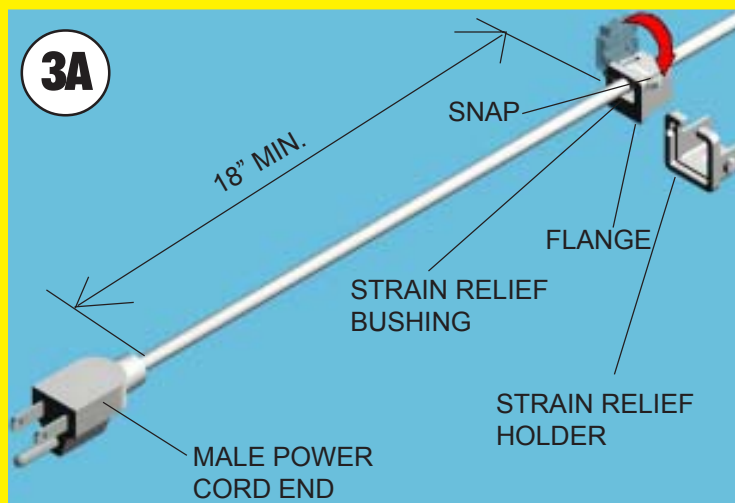


## STEP 2: POWER CORD TRAY PREPARATION

**NOTE:** Model 3961S (10' long power cord tray) proceed to step 3A.

Open the power cord tray cover. Insert a power cord tray connector at an angle and rotate until the pegs snap into the mounting holes. Repeat this step so that there is one connector in four of the five power cord trays.

**NOTE:** Looking into the power cord tray cover, snap the power cord tray connectors on the end where the cover hinge is to the right.



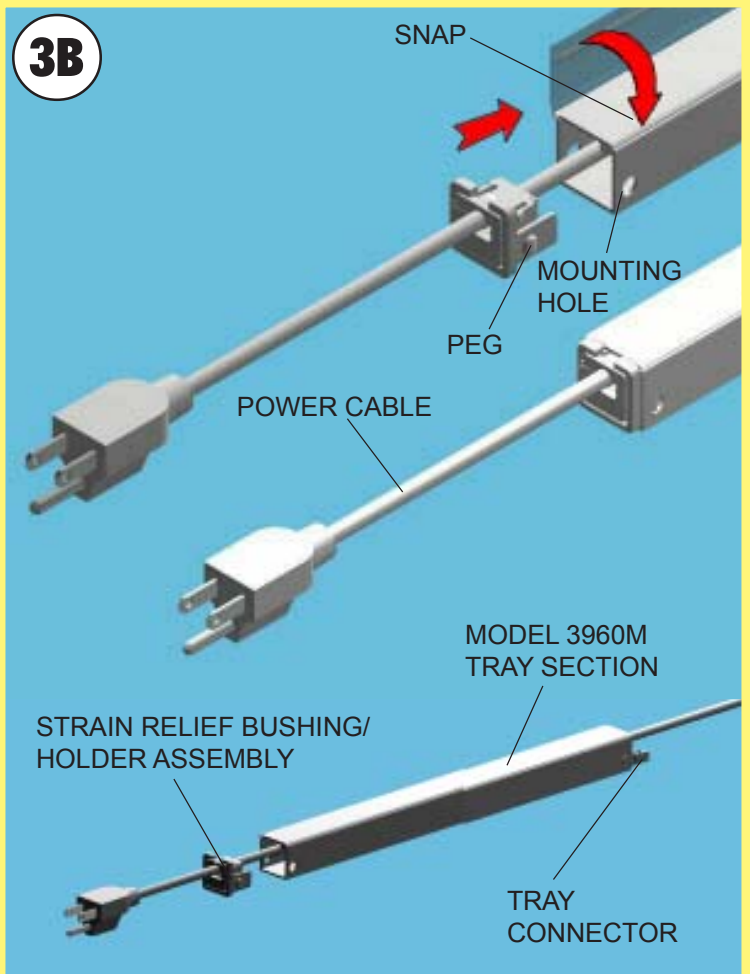
## STEP 3: POWER CORD PREPARATION

Starting on the male end of the power cord, determine and mark the amount of power cord required to make the connection between the power receptacle and the end of the power cord tray (18" minimum).

Using pliers, snap the strain relief bushing around the power cord, so that the flange is towards the male end of the power cord. Then, slide the strain relief bushing into the strain relief holder until it snaps in place.

**NOTE:** The end of the power cord tray with the strain relief bushing/holder will correspond to the mounting bracket closest to the power receptacle.

**For model 3961S:** If modifications to the power cord tray are needed refer to step 5, then step 4C. Continue onto step 3B after step 5 and 4C are complete.



Ensure the power cord tray cover is open and insert the power cord into the power cord tray and close the cover until it snaps into place.

Insert the strain relief bushing/holder assembly into the power cord tray until the pegs snap into the mounting holes.

**4A**

MOUNTING BRACKET

HOOK HINGE UNDER MOUNTING BRACKET LEG

**STEP 4: MOUNTING THE POWER CORD TRAY**

Angle the hinged portion of the power cord tray underneath the mounting bracket leg(s) as shown. Rotate and push upwards until the power cord tray snaps into the mounting bracket(s).

**NOTE:** The cover section of the power cord tray will face the ceiling.

**Model 3961S, proceed to step 6.**

**4C**

POWER CORD

(2) WIRE TIES

Before snapping all power cord tray sections, determine the overall length of power cord required to complete the installation. Excess power cord can be accumulated inside the power cord tray. Leave enough power cord outside the completed power cord tray (6 ft. maximum) to plug into the opener.

**NOTE:** Do not accumulate excess power cord in the end sections of the power cord trays.

Attach wire ties around the ends of the excess power cord to compress cable bundle and insert the power cord into a power cord tray.

**Model 3961S continue installation at step 3B after step 4C is complete.**

**Model 3960M: Repeat step 4b until all, but the last section is attached.**

**4B**

MOUNTING BRACKET

ROTATE SECTION

CONNECTOR

TRAY SECTION MOUNTED WITH BRACKET

HINGES OF WIRE WAY SECTIONS ALIGN, WHEN SNAPPED INTO PLACE

Insert the dangling end of the power cord into the next tray section.

Ensure power cord tray section profiles are matched, so that the hinge is on the same corner on all sections. Close the power cord tray cover.

Insert the power cord tray at an angle over the back end of the tray section mounted to the ceiling. Rotate the power cord tray section until the pegs snap into the mounting holes.

Snap the section into the next mounting bracket.

**5**

ALIGN EDGES

REMOVED END OF SECTION

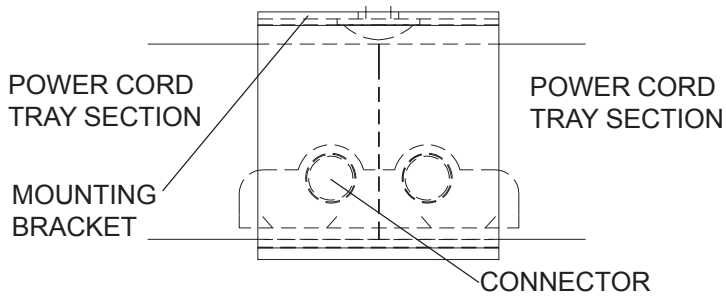
USE CURRENT HOLES AS TEMPLATE/GUIDE

17/64" DRILL BIT

**STEP 5: DETERMINE FINAL TRAY LENGTH**

**NOTE:** The ends of the power cord tray section(s) must be supported with the mounting brackets secured to the wooden framing members.

## POWER CORD TRAY SECTIONS MUST MEET AT MOUNTING BRACKET LOCATIONS

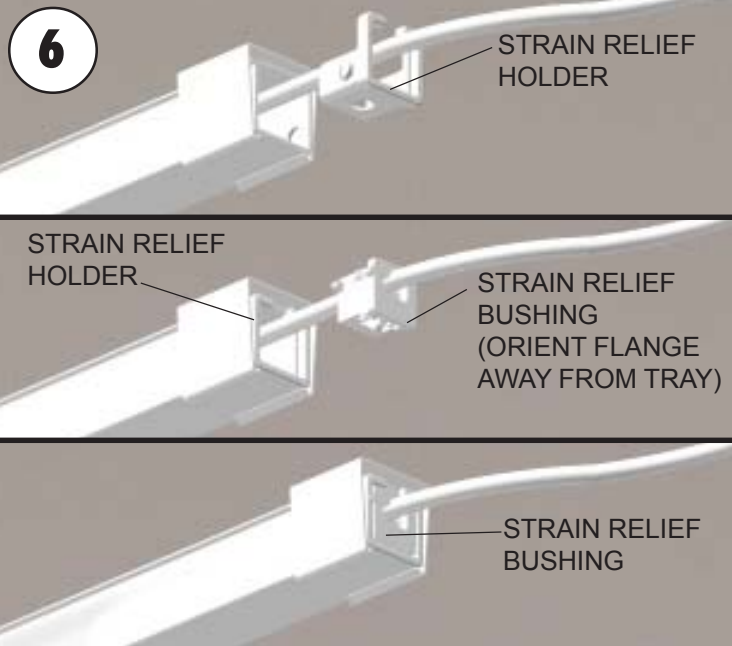


If necessary, the power cord tray can be shortened in cases where the section length exceeds the location of the mounting bracket. To trim the power cord tray, close and snap the power cord tray.

Using a saw, cut the section to the desired length. (**NOTE: The total length of the power cord tray assembly must be no less than 6 feet in length.**)

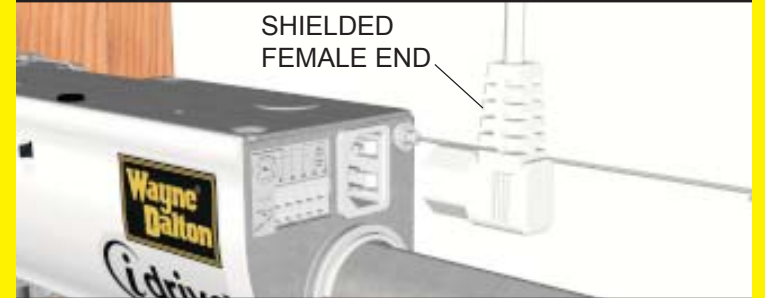
Once the section has been cut, use the piece that was cut off as a template for drilling a new set of 17/64" holes. Align the edge of the section with the piece that was removed as shown. Drill a new set of 17/64" holes.

**Model 3961S refer to step 4C after step 5 is complete.**



## STEP 6: POWER CORD FINISHING

After power cord tray section(s) are installed, insert the second strain relief holder into the open end of the power cord tray. Using pliers, snap the strain relief bushing around the power cord where it exits the power cord tray. **NOTE:** Make sure the strain relief bushing is fastened as close to the power cord tray as possible. Slide the strain relief bushing into the strain relief holder until it snaps into place.



**⚠ WARNING! TO REDUCE THE RISK OF ELECTRICAL SHOCK, THIS EQUIPMENT HAS A GROUNDING TYPE PLUG WHICH HAS A THIRD (GROUNDING) PIN. THIS PLUG WILL ONLY FIT INTO A GROUNDING TYPE OUTLET. IF THE PLUG DOES NOT FIT INTO THE OUTLET, CONTACT A QUALIFIED ELECTRICIAN TO INSTALL THE PROPER OUTLET. DO NOT CHANGE THE PLUG IN ANY WAY.**

## STEP 7: ELECTRICAL CONNECTIONS

Plug the female end of the power cord into the inlet connector on the right side of the garage door opener. Plug the male end into the ceiling mounted power outlet. The power cord must be routed and contained safely away from any moving parts.



To disassemble the power cord extender, reverse installation procedure starting from step 7 and ending on step 1.



**idrive™**

## **Power Cord Extender**

Models: 3960M, 3961S

### **90-DAY LIMITED WARRANTY**

The Manufacturer warrants that the Power Cord Extender will be free from defects in materials and workmanship for a period of **NINETY DAYS** from the date of installation, provided it is properly maintained and cared for under normal use and service.

This Warranty extends to the original homeowner, providing the Power Cord Extender is installed in his/her place of primary residence. It is not transferable. The warranty applies to residential property only and is not valid on commercial or rental property.

NO EMPLOYEE, DISTRIBUTOR, OR REPRESENTATIVE IS AUTHORIZED TO CHANGE THE FOREGOING WARRANTIES IN ANY WAY OR GRANT ANY OTHER WARRANTY ON BEHALF OF MANUFACTURER.

The Manufacturer shall not be responsible for any damage resulting to or caused by its products by reason of installation, improper storage, unauthorized service, alteration of products, neglect or abuse, any acts of nature beyond Manufacturer's control (such as, but not limited to, lightning, power surges, water damage, etc.), or attempt to use the products for other than the customary usage or for their intended purposes. The above warranty does not cover normal wear or any damage beyond Manufacturer's control or replacement labor.

THIS WARRANTY COVERS A CONSUMER PRODUCT AS DEFINED BY THE MAGNUSON-MOSS WARRANTY ACT. NO WARRANTIES, EXPRESSED OR IMPLIED, (INCLUDING, BUT NOT LIMITED TO, THE WARRANTY OF MERCHANTABILITY OR FITNESS FOR A PARTICULAR PURPOSE), SHALL EXTEND BEYOND THE APPLICABLE TIME PERIOD STATED IN BOLD FACE TYPE ABOVE.

Claims for defects in material and workmanship covered by this warranty shall be made in writing to the dealer from whom the product was purchased within the warranty period. Manufacturer may either send a service representative or have the product returned to the Manufacturer at Buyer's expense for inspection. If judged by Manufacturer to be defective in material or workmanship, the product will be replaced or repaired at the option of the Manufacturer, free from all charges except authorized transportation and replacement labor.

THE REMEDIES OF BUYER SET FORTH HEREIN ARE EXCLUSIVE AND ARE IN LIEU OF ALL OTHER REMEDIES, THE LIABILITY OF MANUFACTURER, WHETHER IN CONTACT, TORT, UNDER ANY WARRANTY OR OTHERWISE, SHALL NOT EXTEND BEYOND ITS OBLIGATION TO REPAIR OR REPLACE, AT ITS OPTION, ANY PRODUCT OR PART FOUND BY MANUFACTURER TO BE DEFECTIVE IN MATERIAL OR WORK SHALL NOT BE RESPONSIBLE FOR ANY DIRECT, INDIRECT, SPECIAL OR CONSEQUENTIAL DAMAGES OF ANY NATURE.

This Warranty gives you specific legal rights, and you may have other rights, which may vary from state to state. However, some states do not allow limitation on how long an implied warranty lasts or the exclusion or limitation of incidental or consequential damages so the above limitations or exclusions may not apply to you.

Questions??

For quick answers and helpful advise, call  
Wayne-Dalton Customer Service  
(888) 827-3667