

Aloha BREEZE MODEL 84001

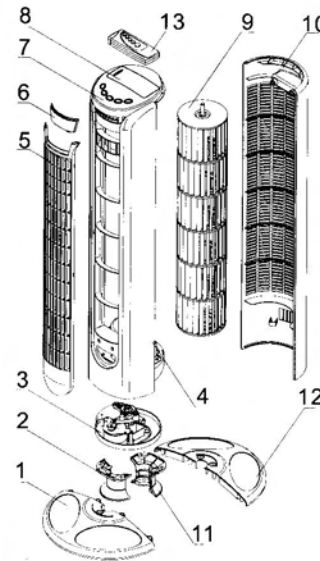
Operation Manual (remote-control)

※ RATING:120V~ 60Hz 55W

※ BEFORE USING THIS PRODUCT, PLEASE CAREFULLY READ AND SAVE THIS OPERATION MANUAL.

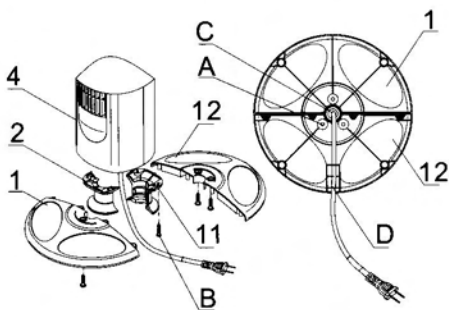
★ Names of all parts:

1. Front base;
2. Pillar I;
3. Synchronous motor support;
4. Front enclosure;
5. Grille;
6. Decorative ring;
7. Feather-touch key;
8. Remote controller compartment;
9. Propeller;
10. Back enclosure;
11. Pillar II;
12. Rear base;
13. Remote controller;



★ Assembly method:

1. Pass the power cord through the channel of pillar I (2), and firmly clasp the pillar II (11) with pillar I.
2. Aim the setting column (2) of pillar I at the setting hole on the synchronous motor support (3), and fix the fan body and the pillar by tightening four M5×12 cross-head screws with a screwdriver.
3. Pass the power cord through the central gate (C) and the snap wire casing (D) on the base, firmly cramp the rear base with the front base (I), coordinate the position of pillar I with that position (A) of the front base, and tighten the three M5×12 cross-head screws with a screwdriver.



★ Operation method:

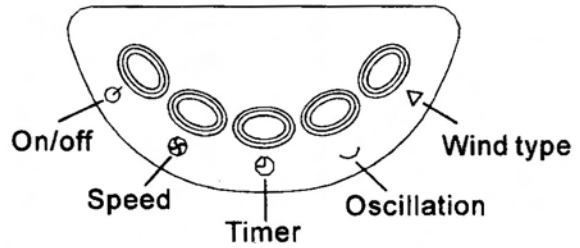
I. By feather-touch key control

1. Gently press “On/Off” key on the cover, and the operation indicator of the fan lights on at this time. Then, activate the relevant function keys.
2. Functions of the fan:
 - a. On/Off: to start and stop the fan.
 - b. Speed selection: Level Δ , $+$ and $*$, namely, slow, medium and fast level.
 - c. Timer selection: 15 levels, with 1/2 hour increased by every touch, namely, 1/2 hour, 1 hour 1.5 hours... 7.5 hours, the maximum timing is 7.5 hours.

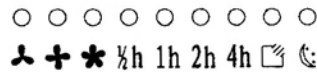
- d. Oscillation selection: to start and stop the oscillation of the fan.
- e. Selection of wind: normal wind, natural wind and sleeping wind.

3. LED indicators in the front of the fan and the relevant symbols:

- ① “人、+、*” respectively means the slow, medium and fast level.
- ② “1/2, 1h, 2h, 4h” means the figures for timing, and the sum of figures with their corresponding indicators on is the timing period.
- “☼” means the natural wind.
- “☺” means the sleeping wind.



LED Indicator



II. The functions keys on the remote control correspond to the same function keys on the fan.

III. Direction selection: to change the wind direction, put both your hands on the fan and turn it left and right. There are 5 positions for you to choose from. (as shown in the figure on the right).

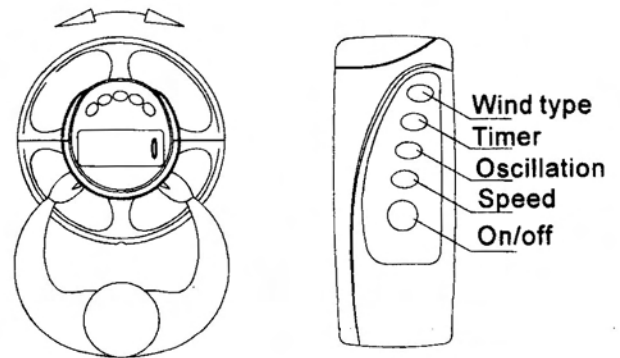
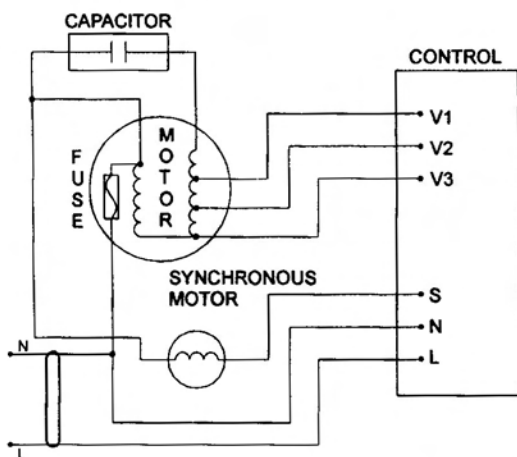


Table of attachments:

Name	Size	Quantity
Cross-head screw	M5 × 12	7
Remote controller	Battery Not Include	1

Electric schematic drawing:



Note:

1. This appliance has a polarized plug. (one blade is wider than the other) To reduce the risk of electric shock, this plug is intended to fit in a polarized outlet only one way. If the plug does not fit fully in the outlet, reverse the plug. If it still does not fit, contact a qualified electrician. Do not attempt to defeat this safety feature.
2. To reduce risk of fire, electric shock, or injury to person, use this fan only with solid state speed control device.
3. To unplug or disconnect the appliance from the power supply before servicing.

If you should have any operation questions, contact us toll-free at 1-800-295-4448.